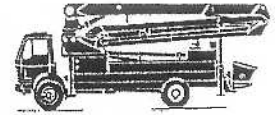


# Coho Concrete Pumping Ltd.

Phone: (250) 544-1416

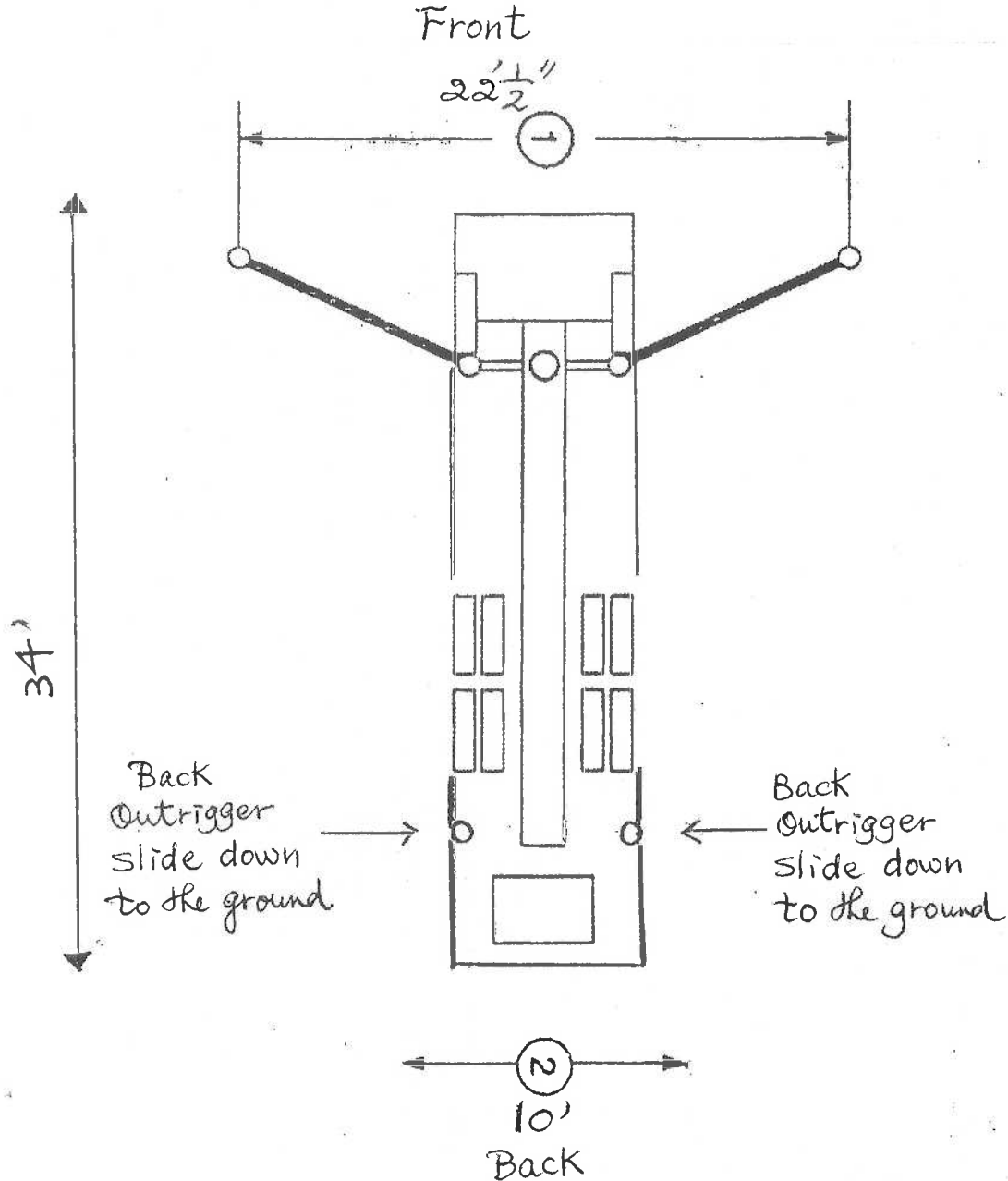
Fax: (250) 544-1497



## 28 Meter Concrete Pump – Outrigger weight

Front Each Weigh : 33,000 lbs = 16.5 t

Rear Each Weigh : 33,000 lbs = 16.5 t



## Foot print for the 28M Concrete Pump

(Net Weight for the 28M pumper truck = 22,040 kg)