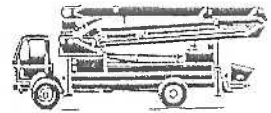


# Coho Concrete Pumping Ltd.

Phone: (250) 544-1416

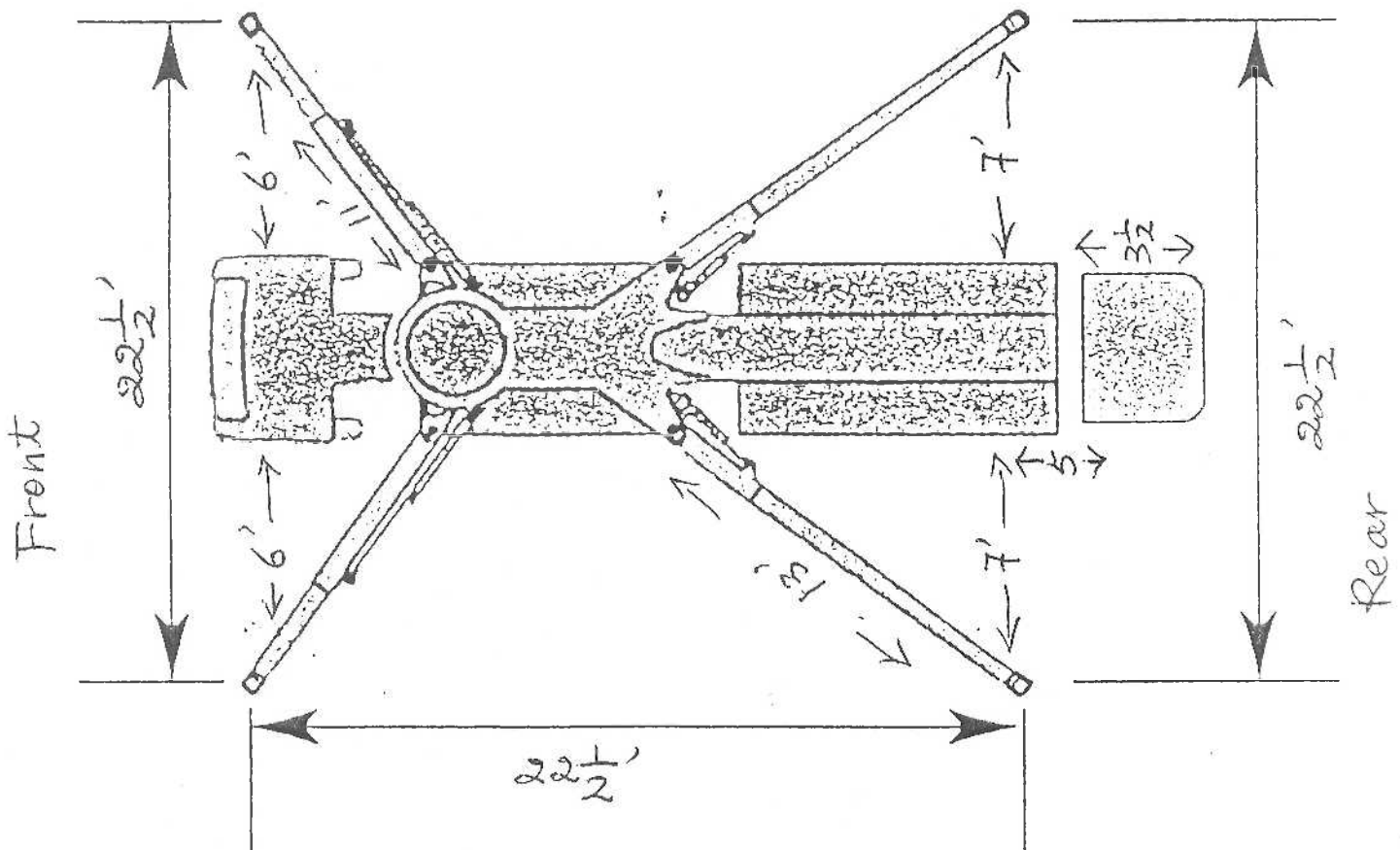
Fax: (250) 544-1497



## 36 Meter Concrete Pump – Outrigger weight

Front - 195 KN (Kilonewtons) 1KN = 224.808943 pound force

Rear - 195 KN (Kilonewtons)



## Foot print for the 36M Concrete Pump

(Net Weight for the 36M pumper truck = 26,364 kg)