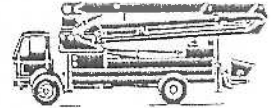


# Coho Concrete Pumping Ltd.

Phone: (250) 544-1416

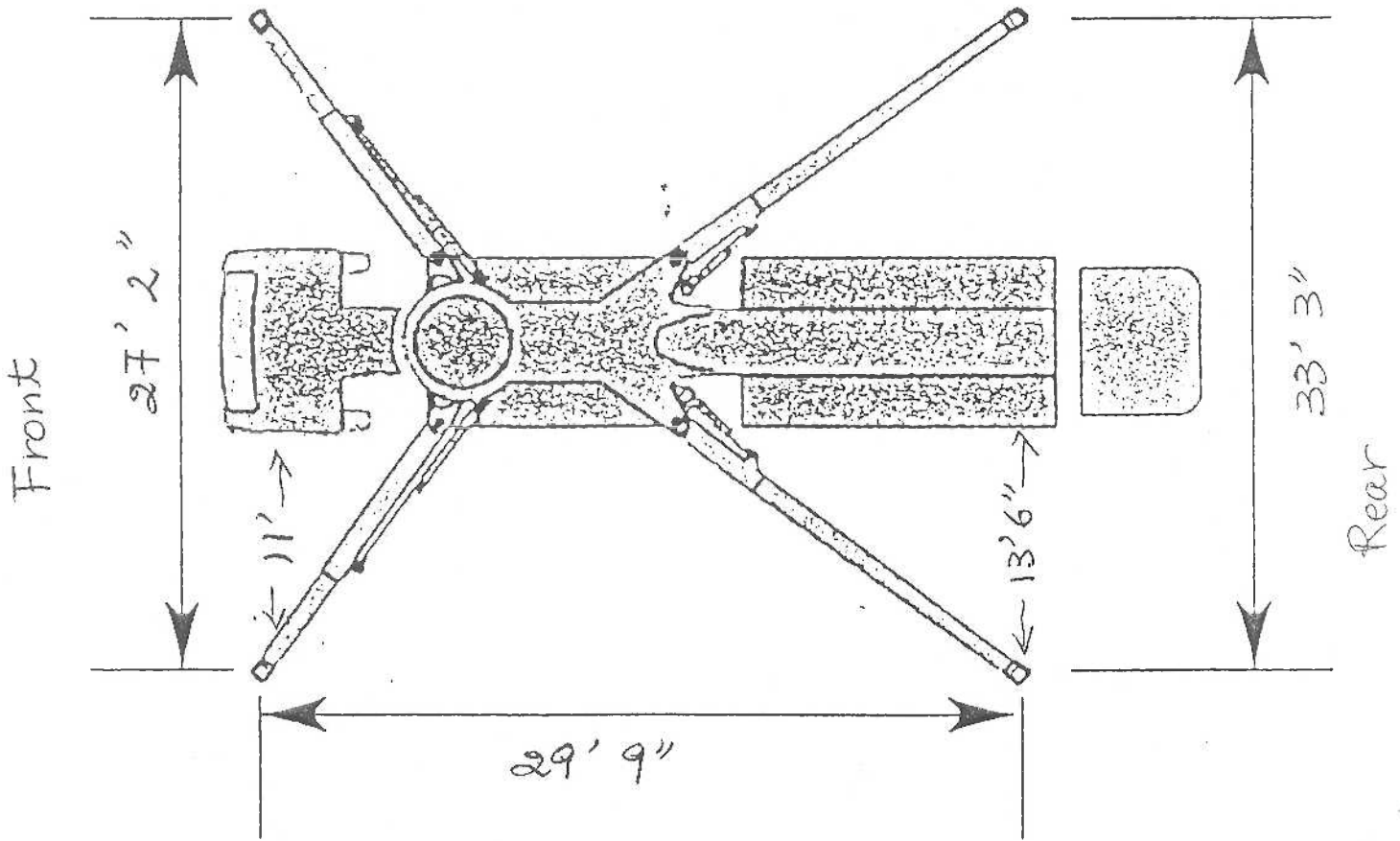
Fax: (250) 544-1497



## 43 Meter Concrete Pump – Outrigger weight

Front - 250 KN (Kilonewtons) 1KN = 224.808943 pound force

Rear - 240 KN (Kilonewtons)



### Foot print for the 43M Concrete Pump

(Net Weight for the 43M pumper truck = 34,600 kg)